

Replacement Sheet  
Application No. 10/698,012

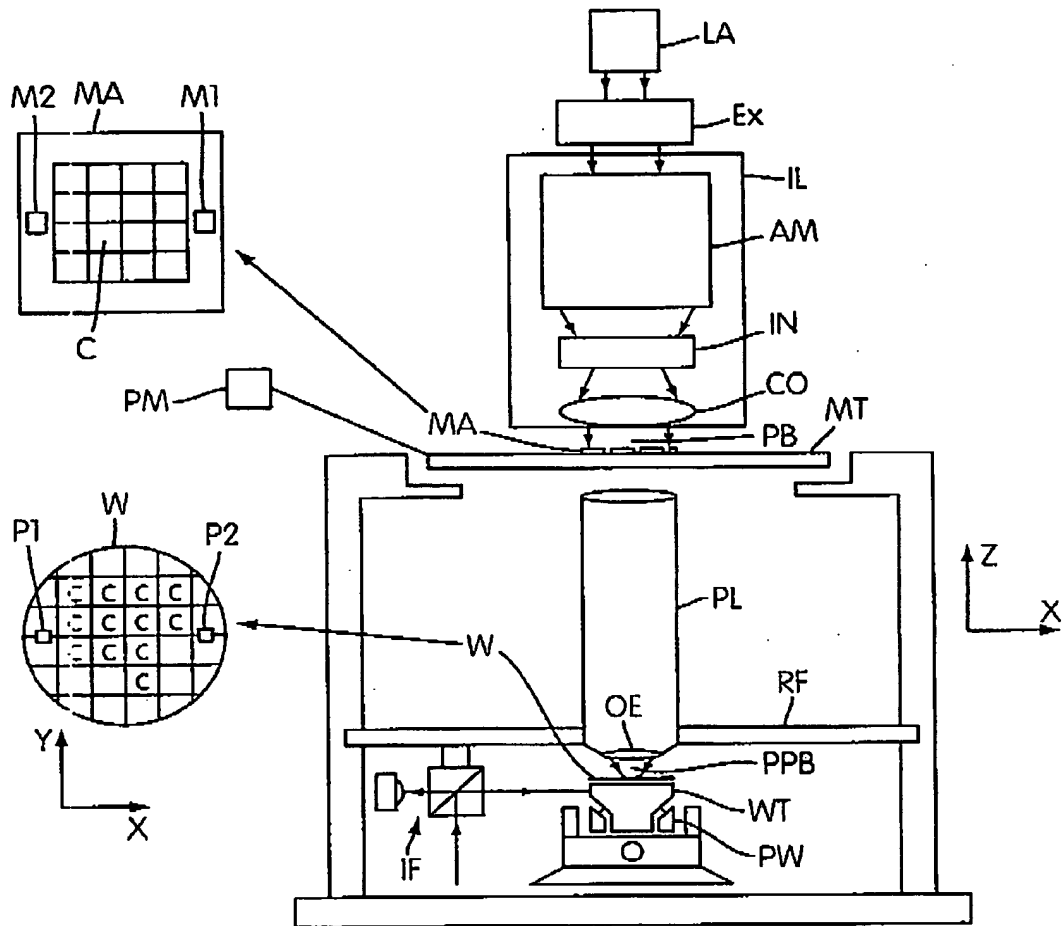


FIG. 1

Replacement Sheet  
Application No. 10/698,012

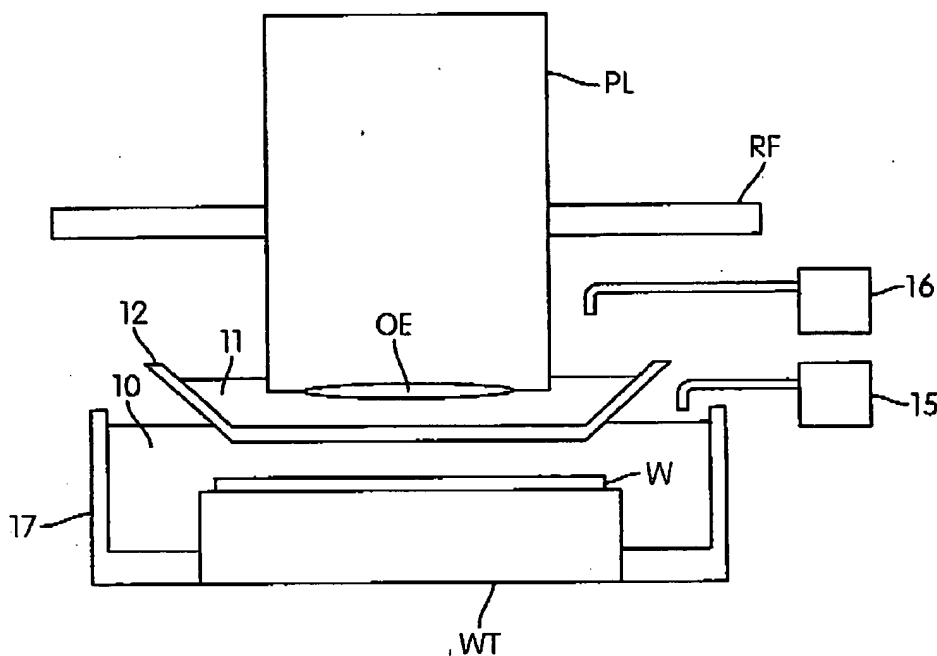


FIG. 2

Replacement Sheet  
Application No. 10/698,012

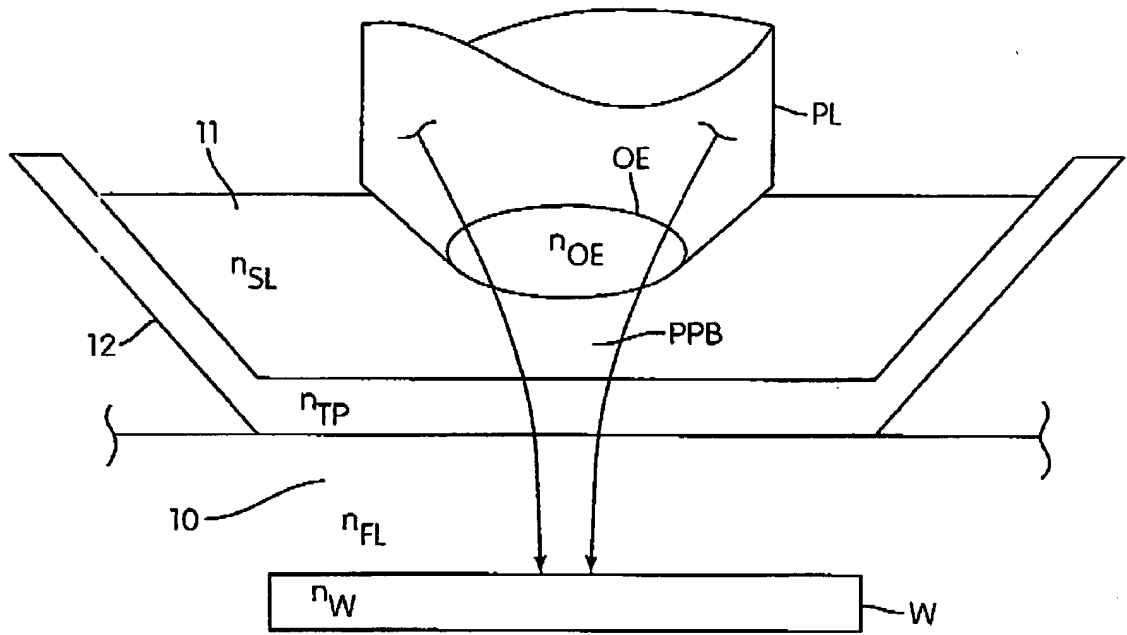


FIG. 3

Replacement Sheet  
Application No. 10/698,012

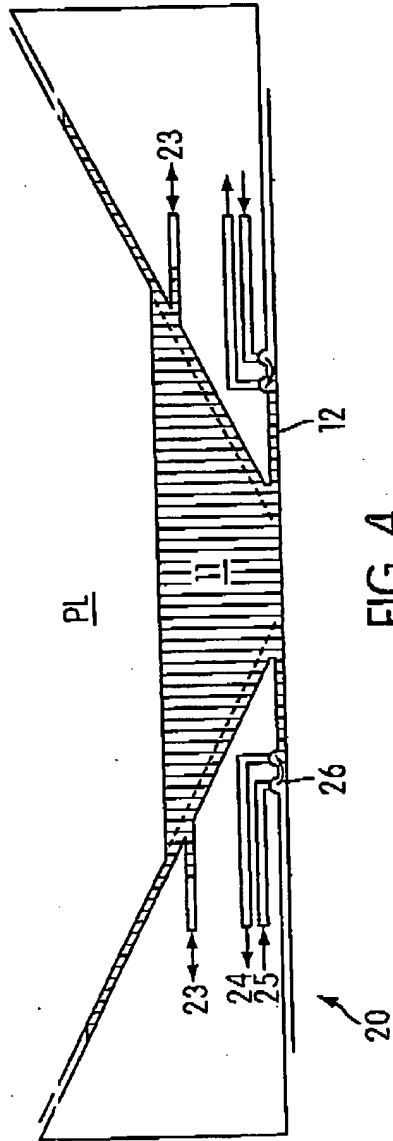


FIG. 4

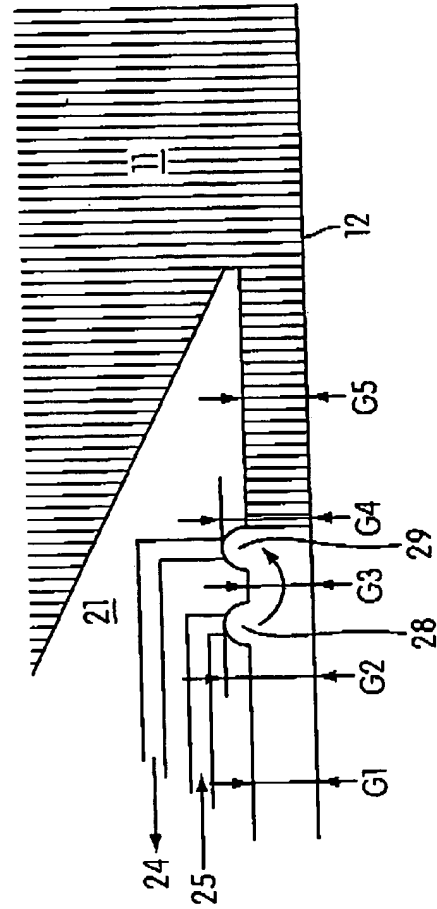


FIG. 5

Replacement Sheet  
Application No. 10/698,012

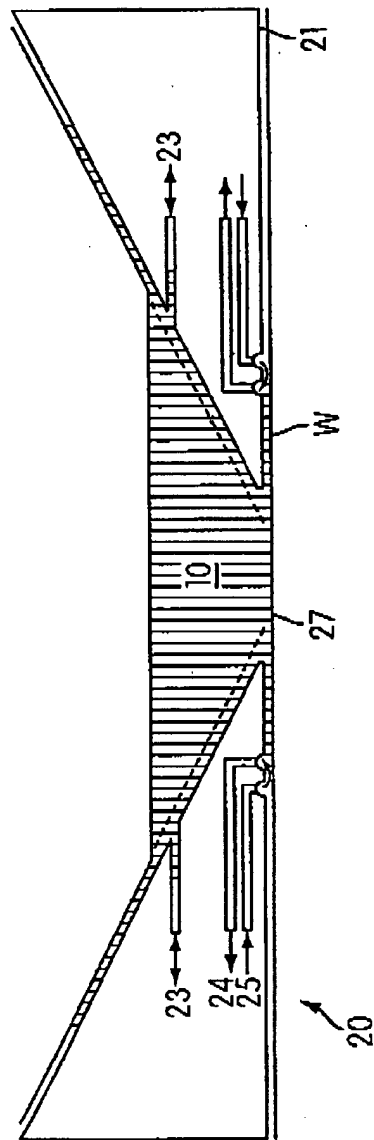


FIG. 6